

Weights

Operating weight with canopy, long arm, steel tracks and bucket (ISO 6016)	3738 kg
Additional weight for cab with heating	118 kg
Additional weight for cab with HVAC	137 kg
Weight reduction with rubber tracks	-96 kg
Weight reduction with standard arm	-12 kg
Ground pressure with rubber tracks	33.60 kPa

Engine

Make / model	Kubota / D1803-M-D1-E3B-BC-3
Fuel	Diesel
Number of cylinders	3
Displacement	1862 cm ³
Maximum power @ 2200 rpm (ISO 14396)	24.4 kW
Maximum torque (SAE)	97.4 Nm

Hydraulic System

Pump type	Single outlet variable displacement, load sensing torque pump with gear pumps
Total hydraulic capacity	101.20 L/min
Auxiliary flow	63.90 L/min
Auxiliary relief	206.0 bar

Performance

Digging force, dipperstick (ISO 6015)	20790 N
Digging force, long dipperstick (ISO 6015)	18010 N
Digging force, bucket (ISO 6015)	33430 N
Drawbar pull	34132 N
Travel speed, low range	2.6 km/h
Travel speed, high range	4.7 km/h

Slew System

Boom swing, left	75.0°
Boom swing, right	55.0°
Slew rate	8.6 RPM

Fluid Capacities

Cooling system	8.00 L
Engine lubrication plus oil filter	5.20 L
Fuel reservoir	52.00 L
Hydraulic reservoir	8.30 L
Hydraulic system	39.70 L

Environmental

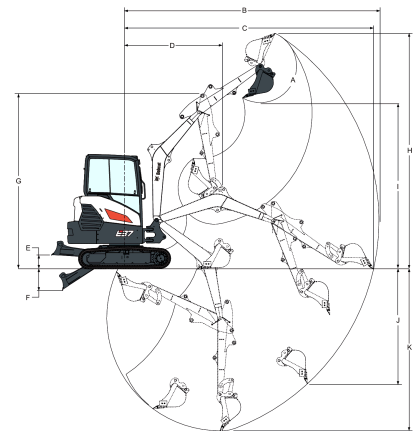
Noise level LpA(EU Directive 2006/42/EC)	80 dB(A)
Noise level LWA(EU Directive 2000/14/EC)	94 dB(A)
Whole body vibration (ISO 2631-1)	1.20 ms ⁻²
Hand-arm vibration (ISO 5349-1)	0.85 ms ⁻²

Standard Features

1550 mm dozer blade	Horn
300 mm rubber tracks	Hydraulic joystick controls
Adjustable double acting auxiliary hydraulic (AUX1) with Quick Couplers	Proportional fingertip auxiliary and boom swing offset hydraulic control
Battery disconnect switch	Retractable seat belt
Blade float feature	Seat with high back
Clamp ready	Storage compartment
Control console locks	TOPS/ROPS/FOPS canopy * 1
Cupholder	Two-speed travel with Auto shift
Engine/hydraulic monitor with shutdown	Upper structure four-point tie down
Foldable and ergonomic pedals	Water separator
Full fuel warning alarm	Work light (boom)
Heavy counterweight	Warranty: 24 months, 2000 hours (whichever occurs first)

1. Roll Over Protective Structure (ROPS) – Meets requirements of ISO 3471. Tip Over Protective Structure (TOPS) – Meets requirements of ISO 12117. Falling Object Protective Structure (FOPS) - Meets requirements of ISO 3449.

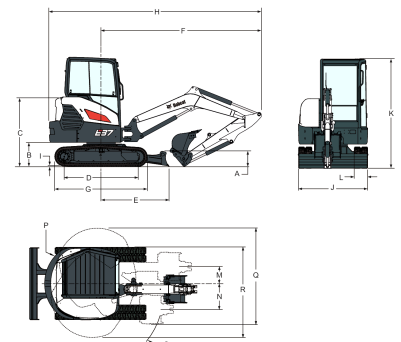
Working Range



Values marked with * - Long dipperstick

(A)	185.0°	(G)	3708.0 mm
(B)	5101.0 mm	(H)	4804.0 mm
(B)	5383.0 mm	(H*)	4985.0 mm
(C)	4980.0 mm	(I)	3340.0 mm
(C*)	5270.0 mm	(I*)	3521.0 mm
(D)	2017.0 mm	(J)	2136.0 mm
(D*)	2077.0 mm	(J)	2414.0 mm
(E)	382.0 mm	(K)	3117.0 mm
(F)	456.0 mm	(K*)	3417.0 mm

Dimensions



Values marked with * - Long dipperstick

(A)	322.0 mm	(J)	1550.0 mm
(B)	540.0 mm	(K)	2468.0 mm
(C)	1557.0 mm	(L)	300.0 mm
(D)	1542.0 mm	(M)	371.0 mm
(E)	1528.0 mm	(N)	554.0 mm
(F)	3787.0 mm	(O)	1623.0 mm
(G)	1970.0 mm	(P)	1125.0 mm
(H)	4661.0 mm	(P*)	1215.0 mm
(H*)	4761.0 mm	(Q)	1982.0 mm
(I)	25.0 mm	(R)	1855.0 mm

Options

1st AUX hydraulic on arm	Keyless ignition
2nd AUX hydraulics	Klacc D and MS03 coupler
AM/FM stereo radio	Left and right mirror
Additional lights (2+1)	Long dipperstick
Auto idle	Object handling device
Beacon	Special applications kit
Bobcat hydr. pin grabber	Steel tracks
Direct-to-tank-AUX1 line	TOPS/ROPS/FOPS cab with heater
Dlx textile suspension seat	Travel motion alarm
Fire extinguisher	